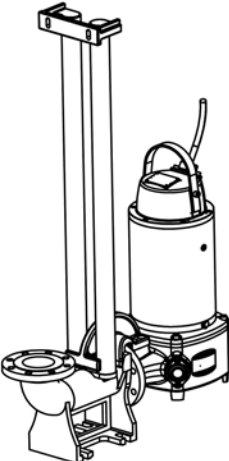


Technical Specifications

4KSW-5-4H



1. Technical Data

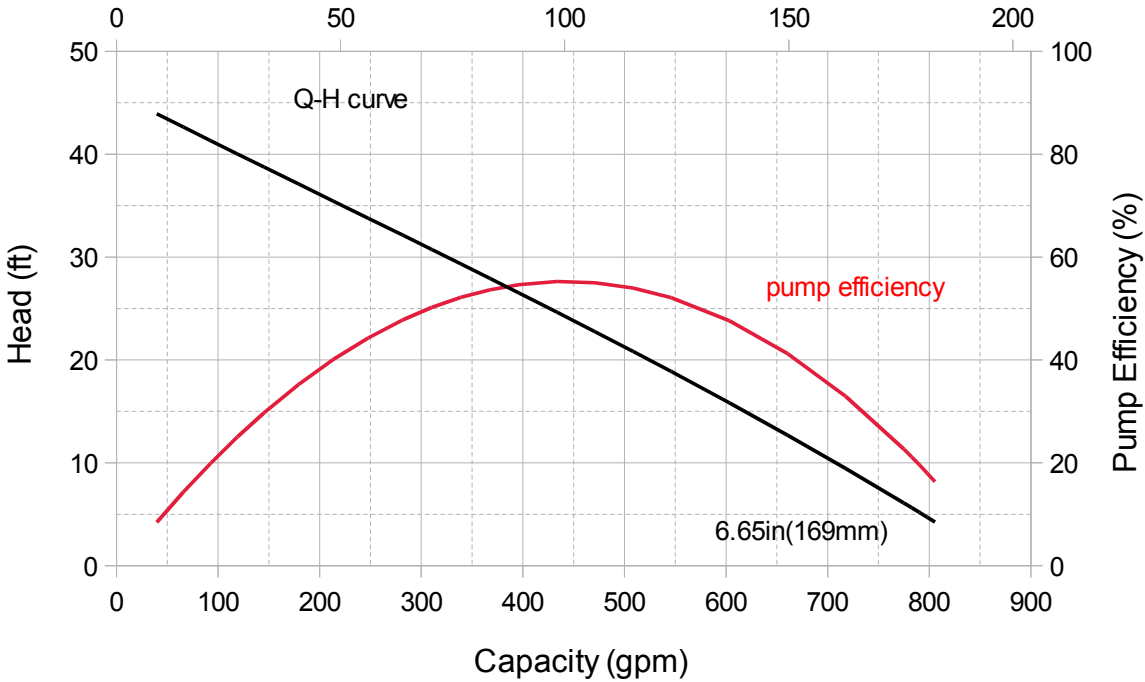
| | | |
|------------------------|--|------------------------------|
| Product | Submersible pump for pumping clean water, surface water and waste water containing solid or long-fibered material. | |
| Models | Product model number | 4KSW-5-4H |
| | Installation | GR, FS, DV, DH |
| | Impeller characteristics | Semi Open Type, 2 Vane |
| Process Data | Liquid temperature-standard | 32~104°F(0~40°C) |
| | Maximum depth of immersion | 164ft(50m) |
| | The pH of the pumped Liquid | 5.5 ~ 14 |
| | Liquid density | Max. 1,100 kg/m ³ |
| | Solid handling | 75mm(3 inch) |
| Motor Data | Frequency | 60Hz |
| | Phase | Φ3 |
| | Rated motor power | 5HP(3.7kW) |
| | Motor efficiency | 85.5% |
| | Rated current | 13.0/6.5A |
| | Starting current | A |
| | Power factor | 0.84 |
| | Rated motor speed | 1750rpm |
| | Number of poles | 4 |
| | Full load torque | 15lb·ft (20N·M) |
| | Locked rotor torque | 190% |
| | Breakdown torque | 220% |
| | Insulation class | H (IEC85) |
| | Voltage variation - continuously running | Max. ±5% |
| | - intermittent running | Max. ±10% |
| | Voltage imbalance between phases | Max. 2% |
| | No. of starts/hour | Max. 20(evenly spaced) |
| Cable | Direct-on-line (460V/380V) | PNCT 4G1.5+4G1.5 |
| | Direct-on-line (230V/220V) | PNCT 4G2.5+4G1.5 |
| | VFD application | - |
| Motor Protector | Thermal contacts opening temp. | 248°F(120°C) |
| | Leakage sensors | Electrode Type |
| | Bearing temp. sensors | optional |
| | Vibration sensors | optional |

| | | |
|--------------------|--|---|
| Materials | Impeller | Grey Cast Iron SS 304, 316L, Duplex (optional) |
| | Pump & motor casing | Grey Cast Iron SS 304, 316L, Duplex (optional) |
| | Shaft | SS 410 |
| | O-ring | NBR Viton(optional) |
| | Mechanical seal face (rotational/stationery) | SiC/SiC WC/WC (optional) |
| | Surface Finishing | All cast parts are primed with a water-borne primer. The finishing coat is a high-solid two pack paint. Standard paint color is deep blue(5PB3.5/1.5) |
| | Weight | See dimensional drawing. |
| Option | Explosion proof design PII(Plasma Ion Injection) surface hardening | |
| Accessories | <ul style="list-style-type: none"> • Mechanical: discharge connection, flush valve, adapter, hose connection • Electrical: pump controller, control panels, starters, monitoring relays, cables • Anti-Corrosion: zinc anode • Spare parts <p>Visit www.khydropumps.com for more information.</p> | |

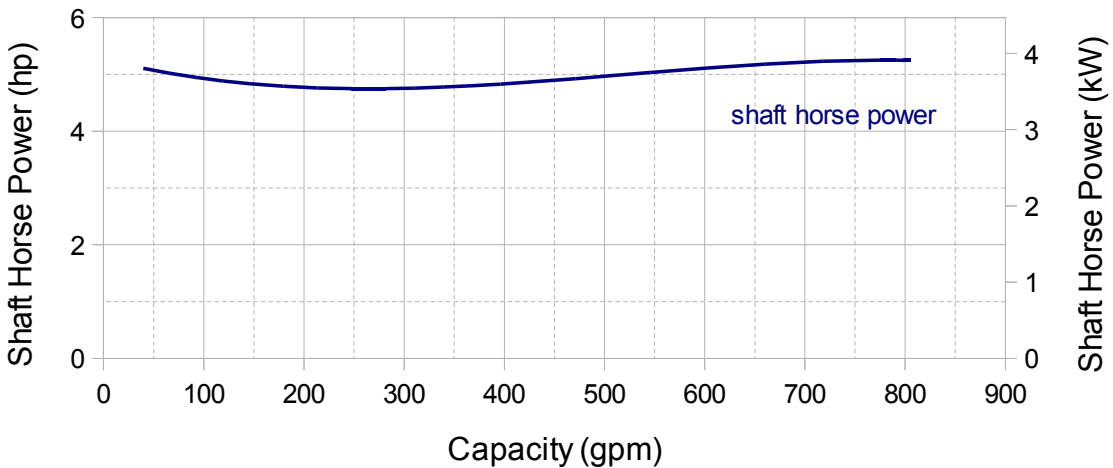
** Errors and omissions expected. Subject to change without notice. (State: 2011.11.23)*

2. Performance Curve

Q-H Curve



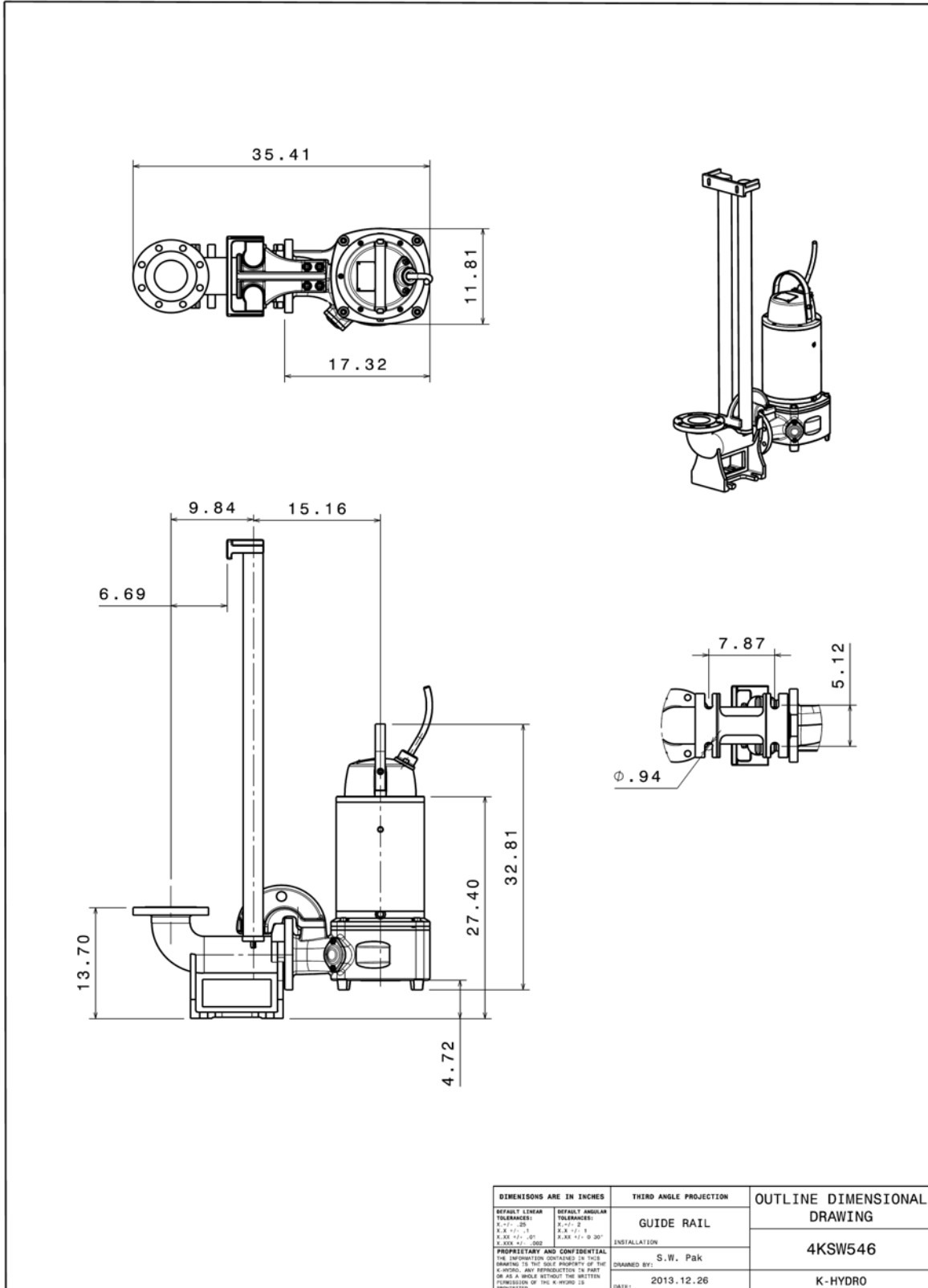
Shaft Horse Power



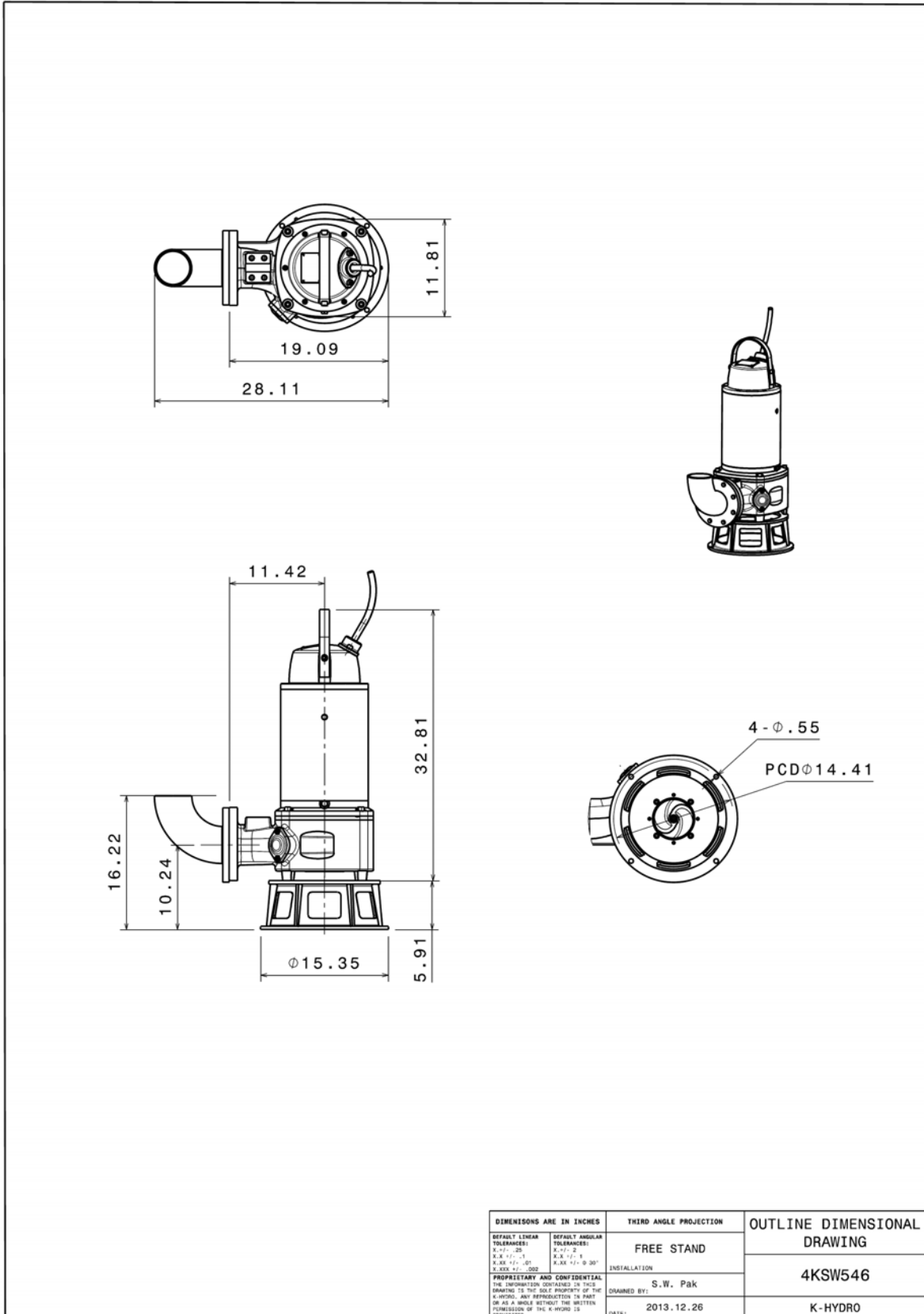
※ Performance with clear water and ambient temp 20°C (68°F)

3. Dimensional Drawing

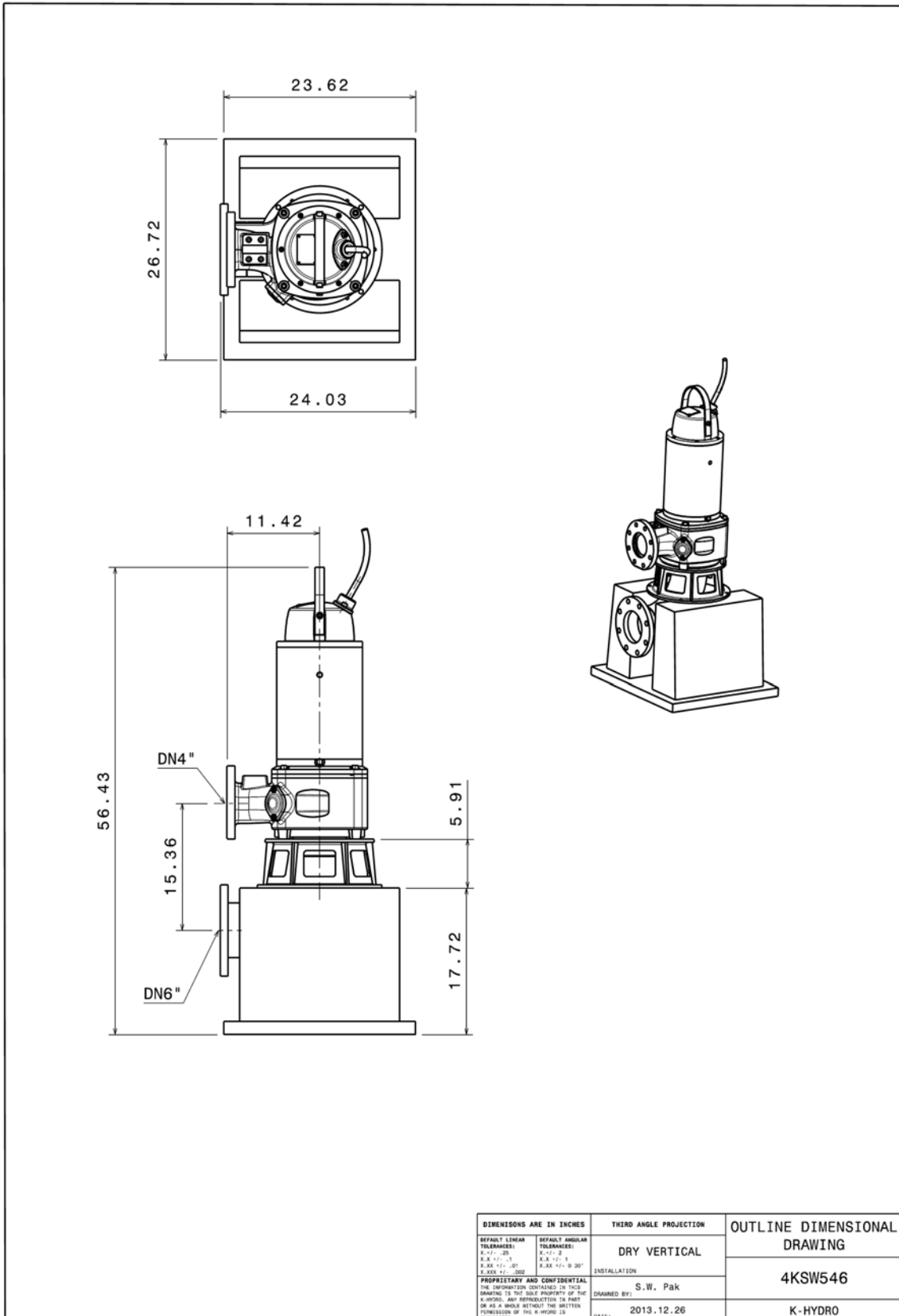
Wet Pit, Auto Coupling System Installation (GR-Installation)



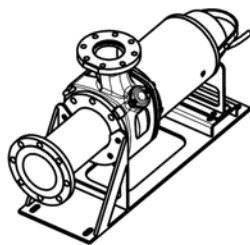
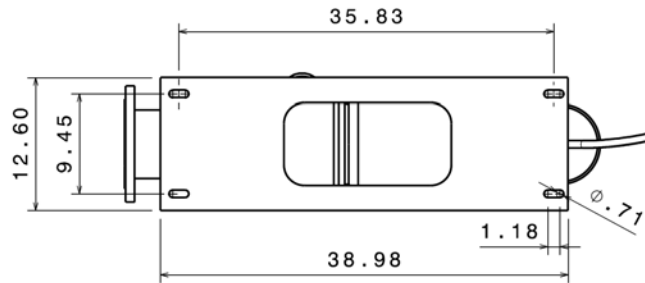
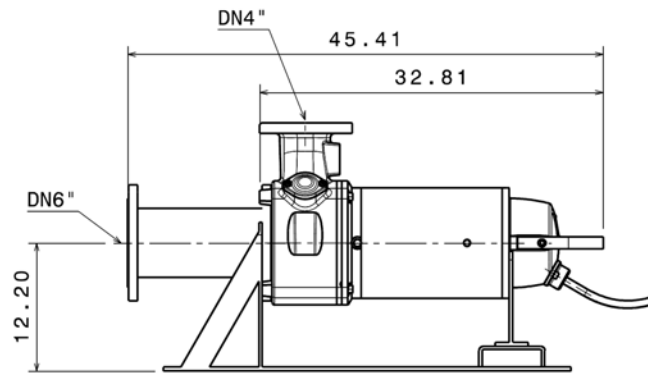
Wet Pit, Free Standing Installation (FS-Installation)



Dry Pit, Vertical Installation (DV-Installation)



Dry Pit, Horizontal Installation (DH-Installation)



| DIMENSIONS ARE IN INCHES | | THIRD ANGLE PROJECTION | OUTLINE DIMENSIONAL DRAWING |
|---|--|--|-----------------------------|
| DEFAULT LINEAR TOLERANCES: X.X ± .25 X.XX ± .1 X.XXX ± .002 | DEFAULT ANGULAR TOLERANCES: X.X ± .2 X.XX ± .1 X.XXX ± .030° | Dry Horizontal | 4KSW546 |
| PROPRIETARY AND CONFIDENTIAL THE INFORMATION CONTAINED ON THIS DRAWING IS THE SOLE PROPERTY OF THE K-HYDRO. ANY REPRODUCTION OR PART OR AS A WHOLE WITHOUT THE WRITTEN PERMISSION OF THE K-HYDRO IS PROHIBITED. | | INSTALLATION S.W. Pak DRAWN BY: 2013.12.28 DATE: | |



K-Hydro is a leader in submersible pumping technology.

We have engineered many successful installations throughout Asia, Europe, and North America. Our proven track record in this specialized product range is one of the best in the industry. Our broad product range extends from 1HP dewatering pumps to 1,600HP propeller pumps. The quality, reliability and overall performance of our products combined with our strong service support will result in lower total life cycle costs for your submersible equipments.

Visit our website for the latest version of this document and more information

www.khydropumps.com

K-Hydro Pumps

803 North Myrtle Avenue, Jacksonville, FL32204

Tel: 800-730-4448 Fax: 904-356-8717 Email: sales@khydropumps.com